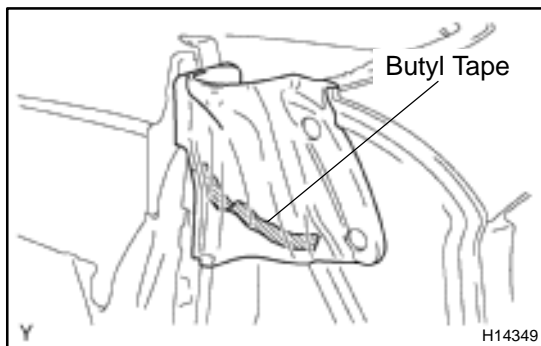


INSTALLATION

1. INSTALL SIDE GATE SEALS

- Install the double-stick tape as shown in the illustration.
- Apply butyl tape as shown in the illustration.
- Insert the drain hose.
- Insert the hook to the center pillar.
- Peel off the separating sheet of the double adhesive tape and affix the tape to the center pillar.
- Employ the same manner described above to the other side.



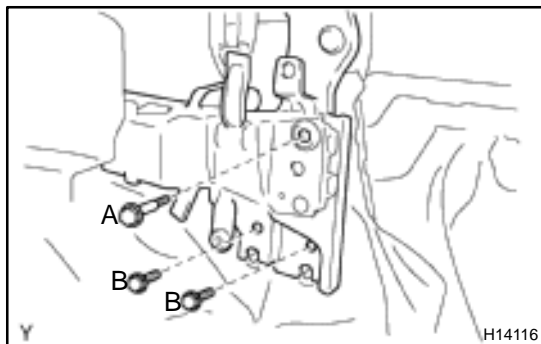
2. INSTALL DUST ROOF WEATHERSTRIPS

- Along the groove of the weatherstrip, apply the butyl tape on the weatherstrip.
- Install the pillar seal with the 3 clips.

HINT:

Press the weatherstrip with a hand and securely affix the butyl tape.

- Employ the same manner described above to the other side.



3. INSTALL TARPAULIN ASSEMBLY

- Install the tarpaulin assembly with the 6 bolts.

Torque:

A: 11 N·m (115 kgf·cm, 8 ft·lbf)

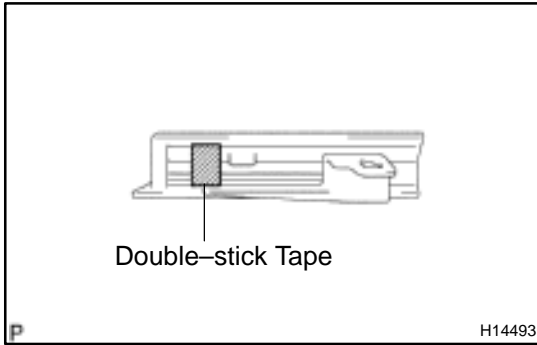
B: 11 N·m (115 kgf·cm, 8 ft·lbf)



- Install side gate seal with the clip.

4. INSTALL REAR BELT MOULDING

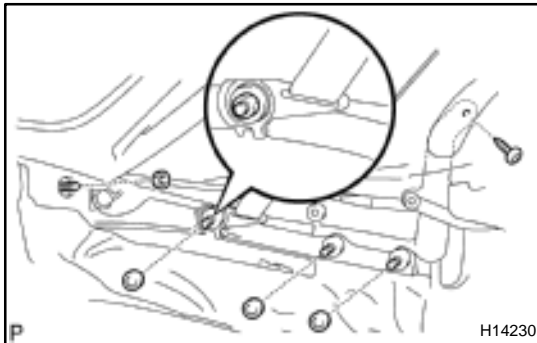
Install the rear belt moulding with the 8 bolts.

**5. INSTALL SIDE BELT MOULDING**

Install the new double-stick tape as shown in the illustration.

6. INSTALL UPPER TARPAULIN COVER RETAINER

Install the upper tarpaulin cover retainer with the 7 nuts.

7. INSTALL TAIL GATE LOWER SEAL**8. INSTALL TARPAULIN COVER SIDE RETAINERS**

- (a) Install the tarpaulin cover side retainer with the 4 nuts and screw.

NOTICE:

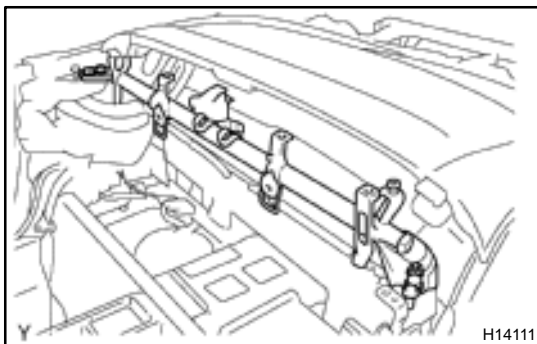
Tighten the side retainer and band assembly together securely.

After opening the tarpaulin, tighten the head of the side retainer together with the side retainer itself.

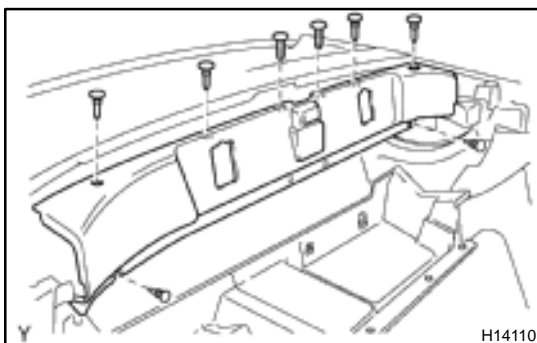
- (b) Install the wire on the side retainer.

NOTICE:

After installation, be sure that the bracket on the wire tip moves lightly.

9. INSTALL ROOM PARTITION BOARD**10. INSTALL PACKAGE TRAY TRIM PANEL****11. INSTALL FRONT TOP AND TARPAULIN SUPPORT FRAME**

Install the front top and tarpaulin support frame with the 2 bolts and 2 nuts.

12. INSTALL LUGGAGE COMPARTMENT COVERS**13. INSTALL UPPER LUGGAGE COMPARTMENT GARNISH**

Install the upper luggage compartment garnish with the 6 clips.

14. INSTALL PULL HANDLE

- (a) Install pull handle with the 2 screws.
 (b) Install the cover.

15. INSTALL WIND DEFLECTOR BOARD

- (a) Install the deflector board with the 4 nuts.
 (b) Install the window deflector cover.

16. CONNECT FRONT SEAT OUTER BELTS

Connect the front seat outer belt with the shoulder anchor mounting bolt.

Torque: 42 N·m (420 kgf-cm, 30 ft-lbf)

17. INSTALL LUGGAGE COMPARTMENT BOXS**18. INSTALL QUARTER TRIM PANELS****19. CONNECT FRONT SEAT OUTER BELTS**

Connect the front seat outer belt with the floor anchor mounting bolt.

Torque: 42 N·m (420 kgf-cm, 30 ft-lbf)

20. INSTALL LOWER REAR NO.1 SEPARATOR TRIM COVERS**21. INSTALL LUGGAGE COMPARTMENT LIDS****22. INSTALL FRONT SCUFF PLATES****23. INSPECT WATER LEAKAGE (See page [BO-80](#))****24. INSPECT TARPAULIN COVER FOR PROPER TENSION AND ALIGNMENT (See page [BO-80](#))**